



Special Features

- CE & Atex approved electrical contacts
- Laser welded diaphragm
- Filled version facilitate usage in vibration Zones to avoid damages to its mechanism.
- Suitable for homogenizer machines.
- Electrical contact options available.
- Standard followed in general EN 837-3.

Application

- These gauges are being used in applications where Hygiene is of prime importance like dairy
- Food
- Ice cream
- Beverages
- Pharmaceutical industries
- Sterilization.

Specifications

Standard Version : 100 mm

Accuracy	:	±1.6% of F. S.
Ambient temperature	:	- 10°C to + 65°C
Process temperature	:	- 10°C to + 180°C
Operating pressure range	:	75% of Scale Value

Case & Bezel	:	AISI 304 SS (Bayonet Type)
Bourdon	:	AISI 316L SS
Socket	:	AISI 316L SS
Movement	:	AISI 304 SS
Diaphragm	:	AISI 316L SS
Body	:	AISI 316 SS
Joints	:	Tig Argon Arc Welding

Protection	:	IP 65
Dial	:	Aluminum, black graduation on white background
Pointer	:	Aluminum, black coloured micrometer zero adjustable
Window	:	Plexi Glass
Blow off Disc	:	Neoprene
Gasket & Filling plug	:	Neoprene & EPDM
Sealing liquid	:	Food Grade Oil (OKS 370)
Dampening Liquid	:	Glycerin 99.7%

Electrical contacts - dry version

Accuracy	:	±2.5% of F. S.
Ambient Temperature	:	Maximum 65°C
Process Temperature	:	Maximum 65 C
Window	:	Polycarbonate Dome
Dampening Liquids	:	Dielectric Oil (Optional)
Electric Contacts*	:	Refer How to Order
Other Features	:	Refer Specification of Standard Version

* Please specify contact set points while ordering.

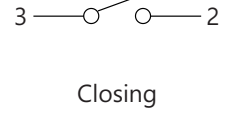
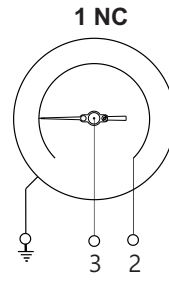
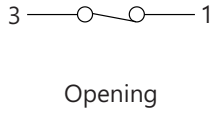
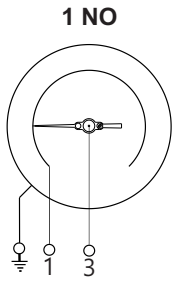
Temperature effect:

The variation of indication caused by effects of temperature is to be calculated by below formula; which is to be added in the specified accuracy while measurement :- Formula : $\pm 0.08 \times (t_2 - t_1) \%$ of F. S. where t_1 = reference temperature (+20°C) and t_2 = ambient temperature in °C.

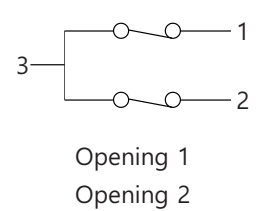
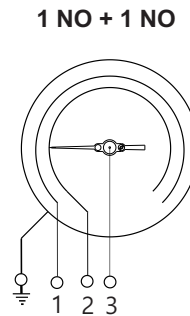
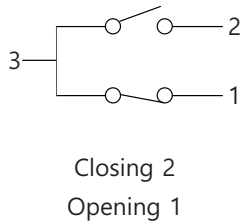
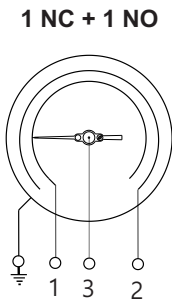
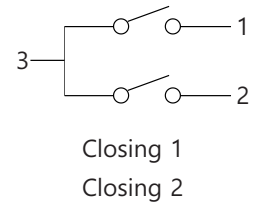
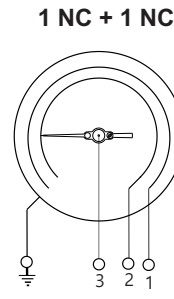
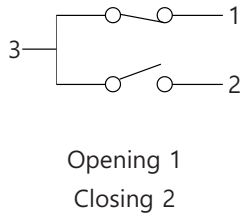
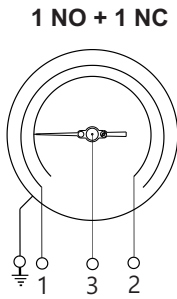
Range Table

Wiring diagrams for electric contacts

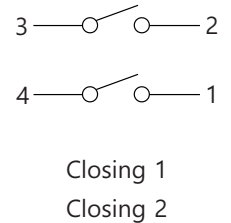
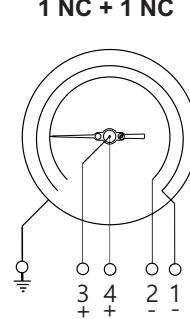
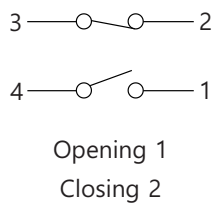
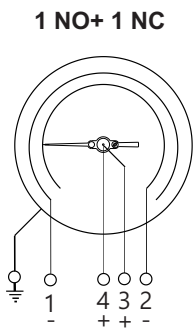
Single Contact



Double contact

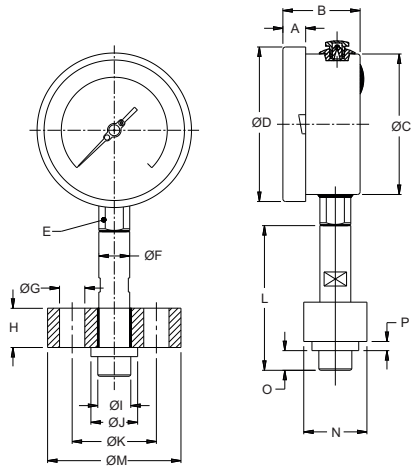


Independent double contact



Dimensions - standard version

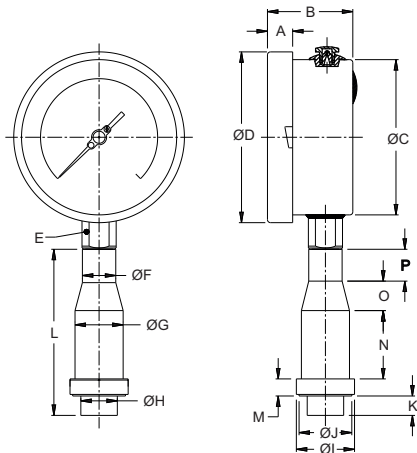
TYPE H01



Flange Connection

NS	A	B	$\varnothing C$	$\varnothing D$	E	$\varnothing F$	$\varnothing G$	H	$\varnothing I$	$\varnothing J$	$\varnothing K$	L	$\varnothing M$	N	O	P	Weight in gram (With Box)
100	12.5	47	100	111	22	22	18	28	24	35	60	90	95	45	13	6.5	1600.0

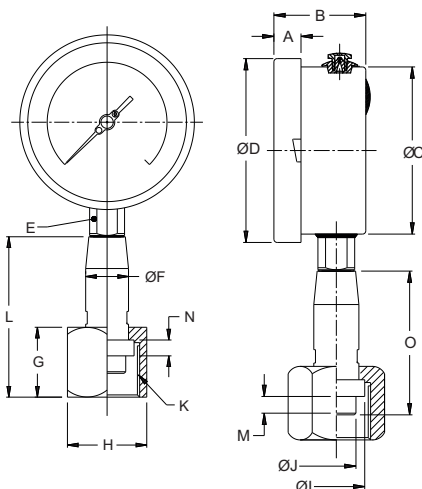
TYPE H02



Without Flange Connection

NS	A	B	$\varnothing C$	$\varnothing D$	E	$\varnothing F$	$\varnothing G$	H	$\varnothing I$	$\varnothing J$	$\varnothing K$	L	$\varnothing M$	N	O	P	Weight in gram (With Box)
100	12.5	47	100	111	22	21	31	26	37.5	34	10	89.5	10.3	34	24.2	8	1200.0

TYPE H03



1 1/4" BSP(F) Connection

NS	A	B	$\varnothing C$	$\varnothing D$	E	$\varnothing F$	G	H	$\varnothing I$	$\varnothing J$	K	L	M	N	O	P	Weight in gram (With Box)	
100	12.5	47	100	111	22	27	44	A/F	50	34	23.5	1 1/4" BSP(F)	101	10	10	85	85	1300.0

- Drawings are not to scale.
- All Dimensions are in mm.
- NS = Nominal Size

How To Order				Example
Basic Model				
Code				AZ
Nominal Size		F		X
		100 mm		
Type of Mounting				
2		Direct bottom entry		X
Gauge Connection				
H01	Flange	H02	With out flange (Standard)	
		H03	1¼" BSP (F)	
RANGE (in kg/cm² or bar) *Consult factory for price & delivery.				XXX
0/160*	0/250*	0/400 (Standard)	0/600*	0/250
Filling Fluids				
UV Food Grade Oil (OKS 370) [-10 to 180°C/14 to 356°F] (Standard)				
Optional extras				
PW	Five point calibration certificate	TB	Helium leak test	XX
SX	SS tag plate	RH	Custom designed dial	
SJ	Maximum reading pointer with plexi glass (for dry version)	GH	Material test certificates*	
		ZZ	Dielectric oil filled**	
*Material test certificates will be provided for wetted parts only with chemical composition testing. For others, please consult factory.				
** BOD and gasket of Viton				
Electric Contacts (CE & Atex Approved)				
(For dry version, with ingress protection up to IP 55 & poly carbonate dome as a window.)				
A) Single insulated magnetic snap action type		B) Inductive Type (220 V AC, 0.4 Amp.)		
(230 V AC, 1 Amp.)(48 V DC, 0.5 Amp.)				
RJ	Single; normally closed (1 NC)	YW	Single; normally open (1 NO)	XX
RK	Double; normally closed + normally open (1 NC +1 NO)	YV	Single; normally closed (1 NC)	
RL	Single; normally open (1 NO)	YV	Double; normally closed + normally open (1 NC +1 NO)	
RM	Double; normally open + normally closed (1 NO + 1 NC)	YY	Double; normally open (both NO)	
RN	Double; normally closed (both NC)	YZ	Double; normally closed (both NC)	
RO	Double; normally open (both NO)	ZA	Double; normally open + normally closed (1 NO + 1 NC)	
RU	Booster with relay for current upto 5 Amp.			
RA	SPDT			
RC	DPDT			

Ordering Example: AZ . X . X . XXX . 0-250 . XX . XX

For other optional items, please contact factory for delivery and minimum quantity of order.

Note : Specifications and dimensions given in this product catalogue represents the state of engineering at the time of printing .
Modifications may take place and materials specified may be replaced by others without prior notice.